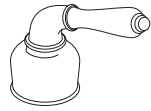


## Handle Installations

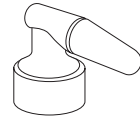
1. Remove cap from top of handle.
  2. Remove phillips screw to remove handle from faucet.
  3. Repeat instructions in reverse order to reinstall.
- Make sure handle is installed securely.



Citidel handle



Acrylic handle



Lever handle

# StoneCrest

# Kitchen Set

## 2 Handle kitchen

**N1210 | N1210S**

**N1210C | N1220C**

**N1220 | N1220S**

**N7510 | N7510S**

**N7510L | N7510LS**

**N7520 | N7520S**

**N7520L | N7520LS**

**N7510C | N7520C**

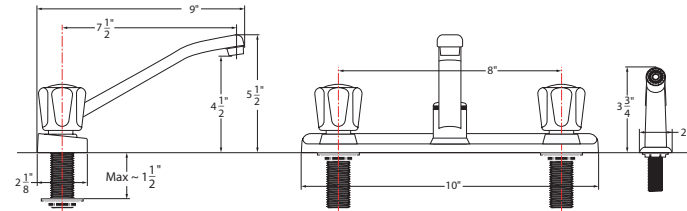
**N7510CF | N7520CF**

### Description

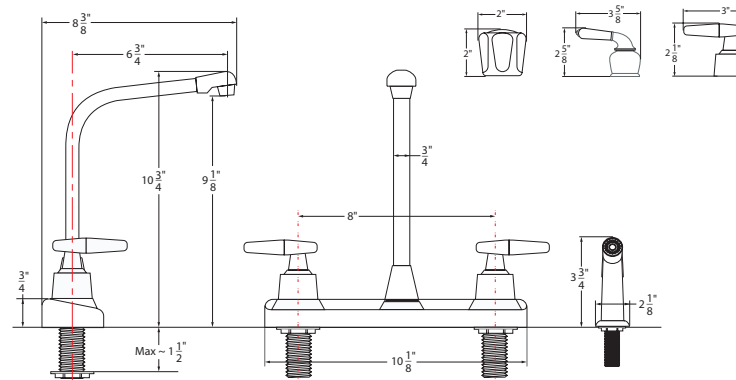
- 8" center kitchen faucet
- 90° turn washerless cartridges
- 1/2" NPS connections
- 2.0 GPM ASME compliant

### Standards

- ASME A112.18.1 Compliant
- Listed IAPMO / UPC & cUPC
- NSF - 61-9 tested and approved
- CSA B125.1 Compliant and listed



N1220



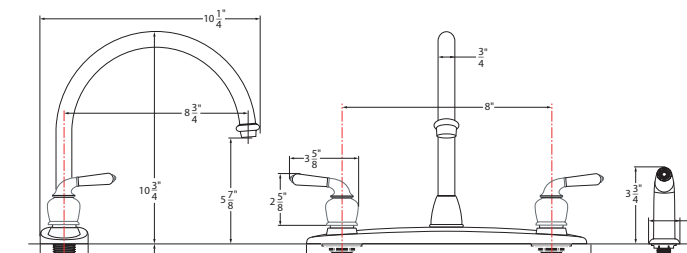
N7510



N7510C

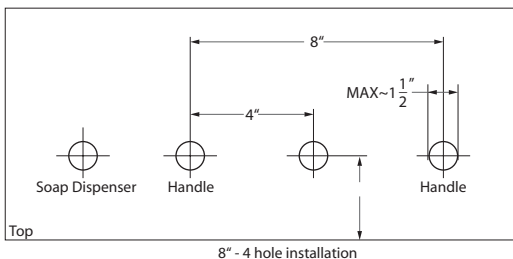
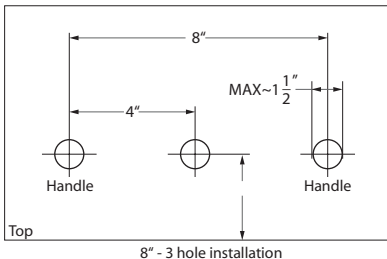


N7510L



# StoneCrest

## Installations Measurement



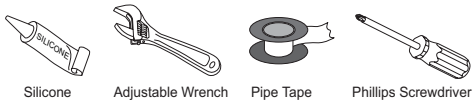
### Before Your Installation

- Read all instructions carefully.
- Assemble all tools.
- Turn off main water supply before removing old faucet and fixtures.
- Clean surface before installing new faucet.
- Insert a cloth or stopper into drain to prevent small parts from getting lost.

### Tips for Successful Installations

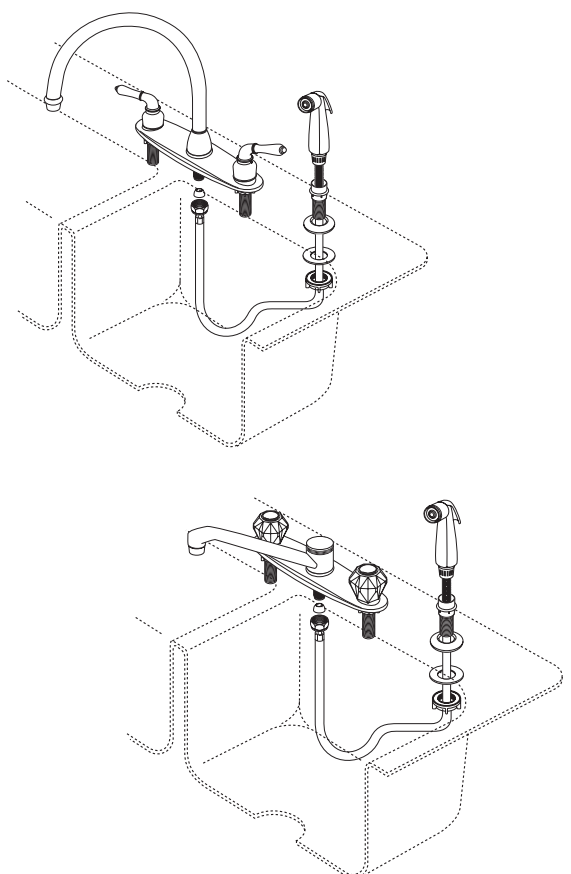
- Use joint compound or Teflon® tape on all threaded connections to prevent leaks.
- Use a soft cloth to protect the faucet's finish when using a wrench, pliers or other tools that could scratch the faucet.
- Tighten all hose connections by hand. Do not over tighten.
- Before turning main water supply back on, open several faucets around the house to prevent pressure from building up. Remove aerator from faucet before turning on water. Flush drain for several minutes before replacing aerator. DO NOT use joint compound or Teflon® tape to reconnect aerator.
- Afeel recommends silicon caulking to be use to seal drain flange and other parts.
- If you experience problems with the installation consult a professional plumber.

### The Tools You May Need



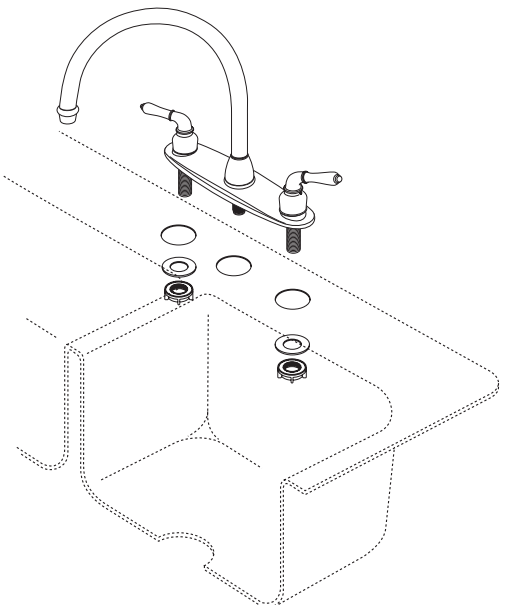
## Side Sprayer Installations

1. Install side sprayer housing into the designated hole.
2. From underneath grab the locking nut and screw it on to the bottom of the housing.
3. From the top slip the smaller end of the sprayer hose through the hole on the housing.
4. From underneath grab the smaller end of the sprayer hose and tighten it onto the sprayer opening on the bottom of the faucet body. (Caution: do not over tighten)
5. From the top screw on the sprayer to the sprayer hose.



## Body Installations

1. To ensure an easier installation make sure surface of sink is clean. Using a wet cloth wipe counter top clean.
2. Sit the faucet on top of the deck plate.
3. From underneath the sink, slide mounting nuts onto the threaded shank and tighten (Caution: Do not overtighten nuts, damage may occur)



## Hose Installations

Connect hot and cold water supply lines to the threaded shank. Tighten the supply line to the bottom of the faucet (Caution: do not overtighten)

Note: Supply lines are not included with this faucet.

Flush system: To flush the system first remove the aerator and turn on the hot and cold valves. Let the water run for 1 - 2 minutes. Check for leaks in all major connection areas. Turn off the water and replace the aerator

