

Pop-up Assembly Installations

1. Slide lift rod through hole in faucet spout.

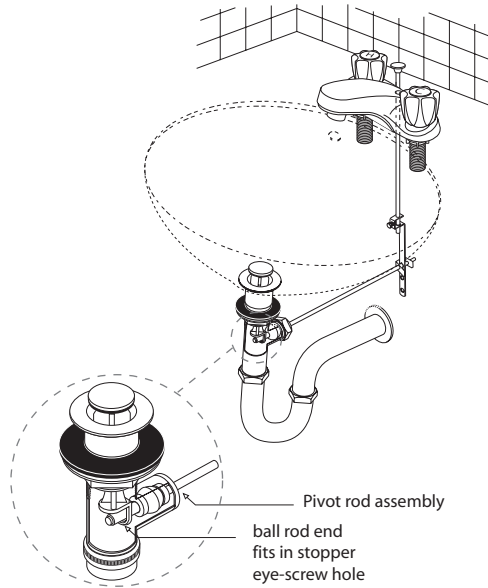
2. Remove pivot rod assembly and the flange from the top of the pop-up drain assembly. Loosen the lock nut on the body of the drain assembly and push up through the drain hole in the sink. Reinstall the flange to the top of the pop-up drain assembly. From underneath, pull the drain assembly down and tighten the lock nut until tight.

3. Reinstall pivot rod assembly. Insert short end of pivot rod into opening in rear of drain assembly. Tighten lock nut keeping ball in place. Make sure pivot rod fits in stopper hole.

4. Slide one end of spring clip onto pivot rod. Slide end of pivot rod through hole in lift rod strap. Slide other end of spring clip onto pivot rod. Pinch spring clip closed.

5. Insert bottom of lift rod into hole at top of lift rod strap. Tighten thumb screw.

6. Connect drain assembly to main drain trap.



Before Your Installation

- Read all instructions carefully.
- Assemble all tools.
- Turn off main water supply before removing old faucet and fixtures.
- Clean surface before installing new faucet.
- Insert a cloth or stopper into drain to prevent small parts from getting lost.

Tips for Successful Installations

- Use joint compound or Teflon® tape on all threaded connections to prevent leaks.
- Use a soft cloth to protect the faucet's finish when using a wrench, pliers or other tools that could scratch the faucet.
- Tighten all hose connections by hand. Do not over tighten.
- Before turning main water supply back on, open several faucets around the house to prevent pressure from building up. Remove aerator from faucet before turning on water. Flush drain for several minutes before replacing aerator. DO NOT use joint compound or Teflon® tape to reconnect aerator.
- DO NOT use "plumbers putty" or any oil based sealant. Afeel recommends silicon caulking to be use to seal drain flange and other parts.
- If you experience problems with the installation consult a professional plumber.

StoneCrest

Two Handle center set
N1010 | N1010LP
N1611 | N1611S
N1610 | N1610LS | N1610C

Description

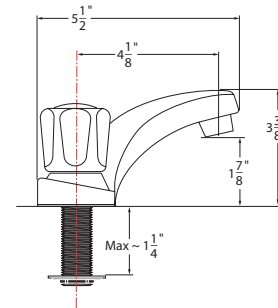
- 4" center lavatory faucet
- 1/2" NPS connections
- 2.0 GPM ASME compliant

Standards

- ASME A112.18.1 Compliant
- Listed IAPMO / UPC & cUPC
- NSF - 61-9 tested and approved
- CSA B125.1 Compliant and listed



N1010



N1610



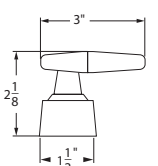
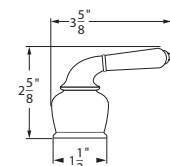
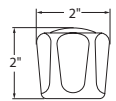
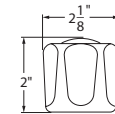
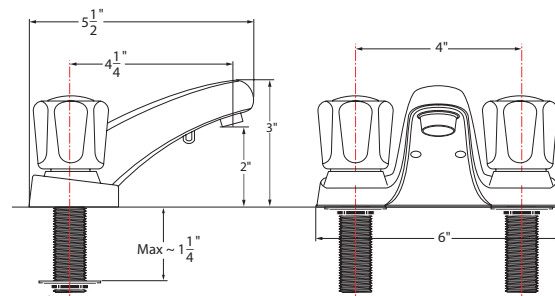
N1611
4" two handle lavatory faucet w/ pull up diverter



N1610LS

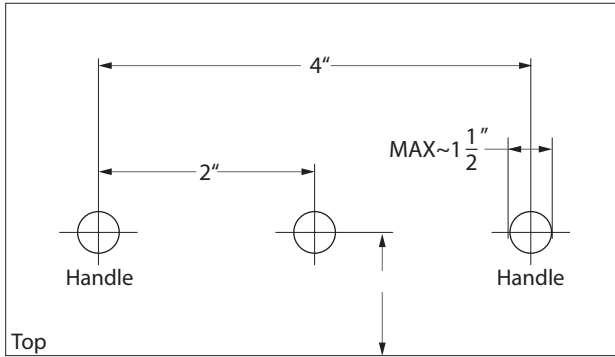


N1610C



StoneCrest

Installations Measurement



The Tools You May Need



Silicone

Adjustable Wrench



Pipe Tape

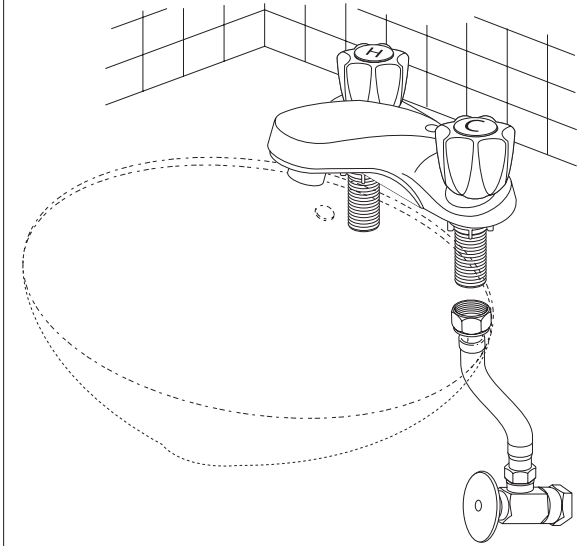
Phillips Screwdriver

Hose Connections Installations

Connect hot and cold water supply lines to the threaded shank. Tighten the supply line to the bottom of the faucet (Caution: do not overtighten)

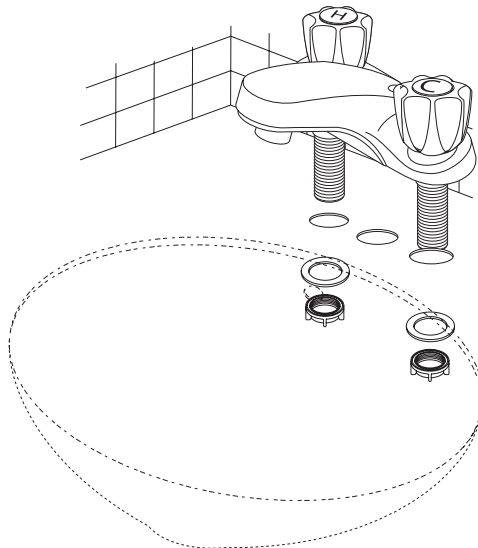
Note: Supply lines are not included with this faucet.

Flush system: To flush the system first remove the aerator and turn on the hot and cold valves. Let the water run for 1 - 2 minutes. Check for leaks in all major connection areas. Turn off the water and replace the aerator.



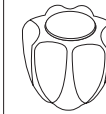
Body Installations

1. To ensure an easier installation make sure surface of sink is clean. Using a wet cloth wipe counter top clean.
2. Sit the faucet on top of the deck plate.
3. From underneath the sink, slide mounting nuts onto the threaded tube and tighten (Caution: Do not overtighten nuts, damage may occur)

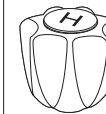


Handle Installations

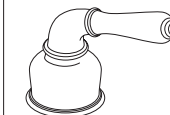
1. Remove cap from top of handle.
2. Remove phillips screw to remove handle from faucet.
3. Repeat instructions in reverse order to reinstall. Make sure handle is installed securely.



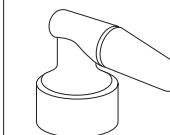
Acrylic handle



Smoke handle



Citidel handle



Lever handle