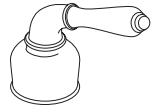
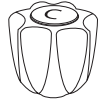


Handle Installations

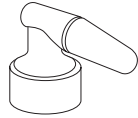
1. Remove cap from top of handle.
2. Remove phillips screw to remove handle from faucet.
3. Repeat instructions in reverse order to reinstall. Make sure handle is installed securely.



Citidel handle



Acrylic handle



Lever handle

StoneCrest

Shower Valve

2 Handle Shower Valve

N2020

N2021 | N2021C

N2021S | N2021L

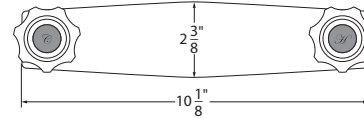
N2025 | N2025C

Description

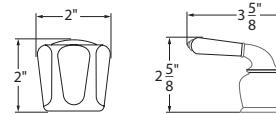
- 4" and 8" shower valve
- 90° turn washerless cartridges
- 1/2" NPS connections
- 2.0 GPM ASME compliant

Standards

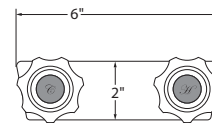
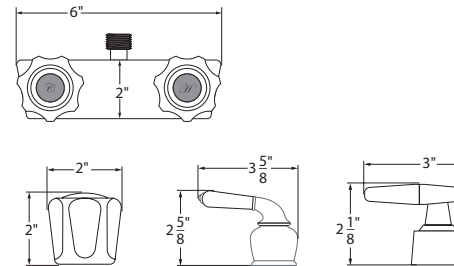
- ASME A112.18.1 Compliant
- Listed IAPMO / UPC & cUPC
- NSF - 61-9 tested and approved
- CSA B125.1 Compliant and listed



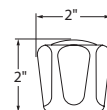
N2025 | N2025C



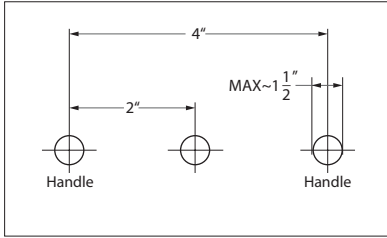
N2021 | N2021C
N2021S | N2021L



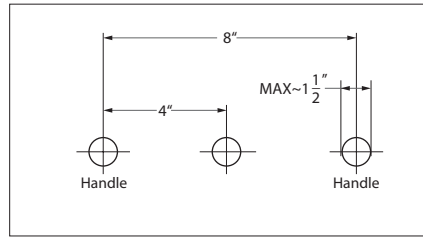
N2020



Installations Measurement



4" - 3 hole installation

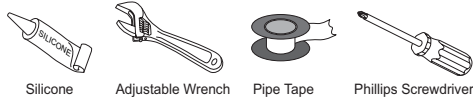


8" - 3 hole installation

Before Your Installation

- Read all instructions carefully.
- Assemble all tools.
- Turn off main water supply before removing old faucet and fixtures.
- Clean surface before installing new faucet.
- Insert a cloth or stopper into drain to prevent small parts from getting lost.
- Afeel recommends that when cleaning your Afeel faucet to only use soap and warm water. The use of any chemical substance will void finish warranty.

The Tools You May Need



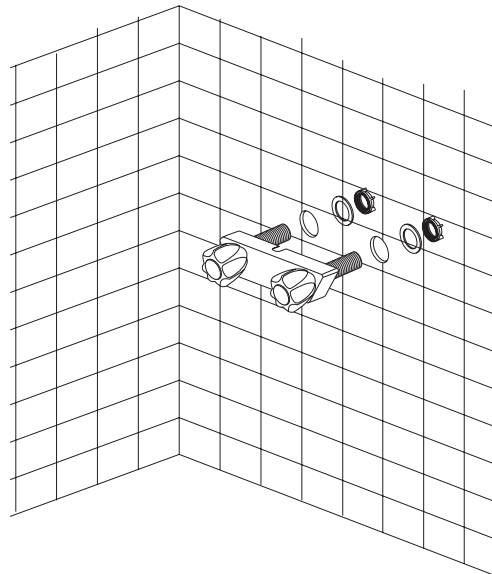
Silicone Adjustable Wrench Pipe Tape Phillips Screwdriver

Tips for Successful Installations

- Use joint compound or Teflon® tape on all threaded connections to prevent leaks.
- Use a soft cloth to protect the faucet's finish when using a wrench, pliers or other tools that could scratch the faucet.
- Tighten all hose connections by hand. Do not over tighten.
- Before turning main water supply back on, open several faucets around the house to prevent pressure from building up. Remove aerator from faucet before turning on water. Flush drain for several minutes before replacing aerator. DO NOT use joint compound or Teflon® tape to reconnect aerator.
- Afeel recommends silicon caulking to be use to seal drain flange and other parts.
- If you experience problems with the installation consult a professional plumber.

Body Installations

1. With a wet towel clean the surface of the sink.
2. Unscrew the locking nuts from the faucet.
3. Slide the faucet stems into the holes on the mounting surface.
4. With the faucet now in place, from the back side of mounting surface slide the rubber washers onto the threaded stem. Then grab the locking nut and screw it onto the stem. Hand tighten until it locks the faucet in place. (Note: do not overtighten)

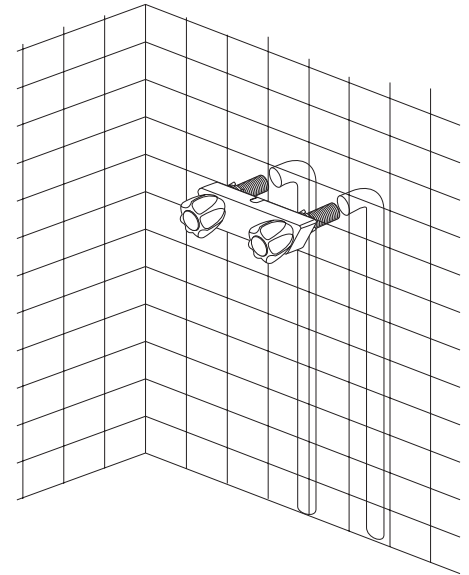


Hose Connections Installations

Connect hot and cold water supply lines to the threaded shank. Tighten the supply line to the faucet (Caution: do not overtighten)
 Note: Supply lines are not included with this faucet.

Flush system:

To flush the system first remove the aerator and turn on the hot and cold valves. Let the water run for 2 - 3 minutes. Check for leaks in all major connection areas. Turn off the water and replace the aerator.



Hose Installations

1. Attach hose and tighten it onto the center shank on the faucet body. (Caution: do not over tighten)

