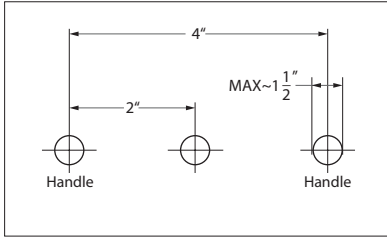
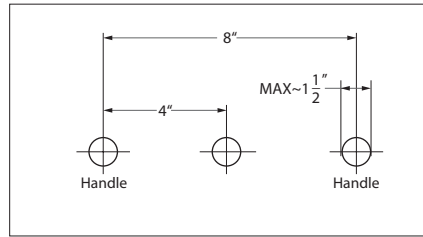


StoneCrest

Installations Measurement



4" - 3 hole installation



8" - 3 hole installation

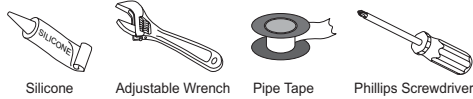
Before Your Installation

- Read all instructions carefully.
- Assemble all tools.
- Turn off main water supply before removing old faucet and fixtures.
- Clean surface before installing new faucet.
- Insert a cloth or stopper into drain to prevent small parts from getting lost.

Tips for Successful Installations

- Use joint compound or Teflon® tape on all threaded connections to prevent leaks.
- Use a soft cloth to protect the faucet's finish when using a wrench, pliers or other tools that could scratch the faucet.
- Tighten all hose connections by hand. Do not over tighten.
- Before turning main water supply back on, open several faucets around the house to prevent pressure from building up. Remove aerator from faucet before turning on water. Flush drain for several minutes before replacing aerator. DO NOT use joint compound or Teflon® tape to reconnect aerator.
- Afeel recommends silicon caulking to be use to seal drain flange and other parts.
- If you experience problems with the installation consult a professional plumber.

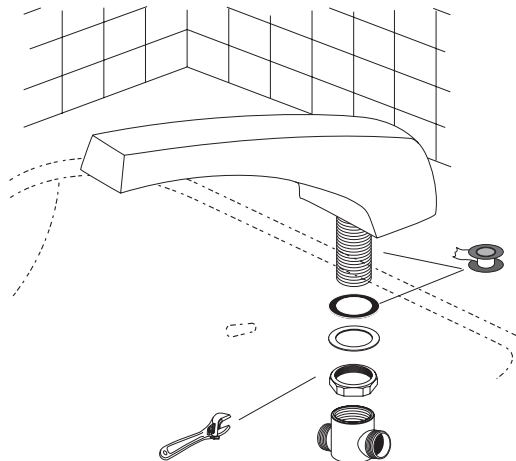
The Tools You May Need



Silicone Adjustable Wrench Pipe Tape Phillips Screwdriver

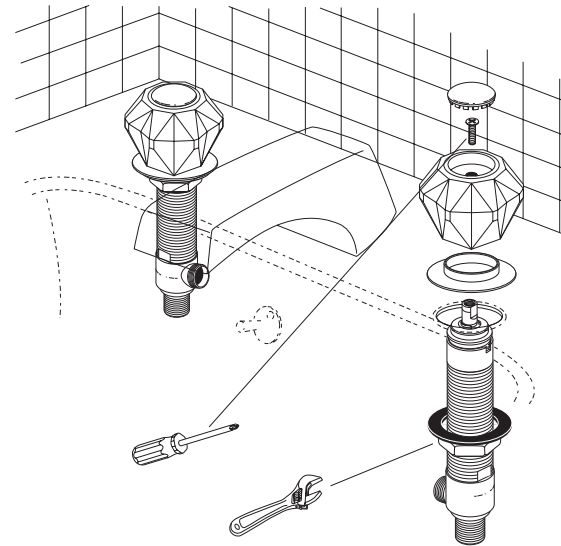
Body Installations

1. To ensure an easier installation make sure surface is clean. Using a wet cloth wipe mounting surface top clean.
2. Sit the faucet on top of the deck.
3. From underneath the deck, slide mounting nuts onto the threaded shank and tighten (Caution: Do not overtighten nuts, damage may occur)



Valve and Handle Installations

1. Remove cap from top of handle.
2. Remove phillips screw to remove handle from faucet.
3. Remove escutcheon ring from valve.
3. From underneath install valve through the mounting surface.
4. From above install escutcheon ring and handle.
5. Tighten handle with phillips screw and replace cap.



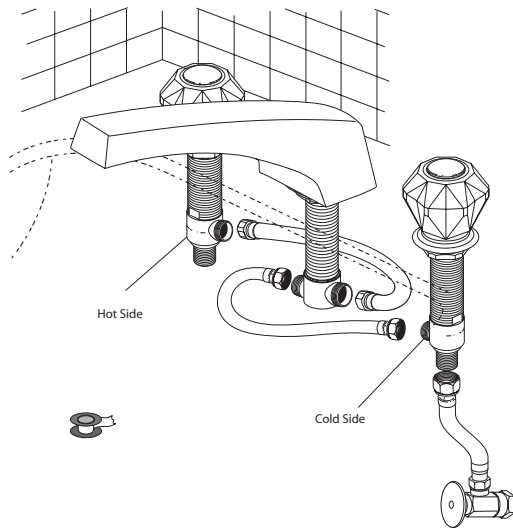
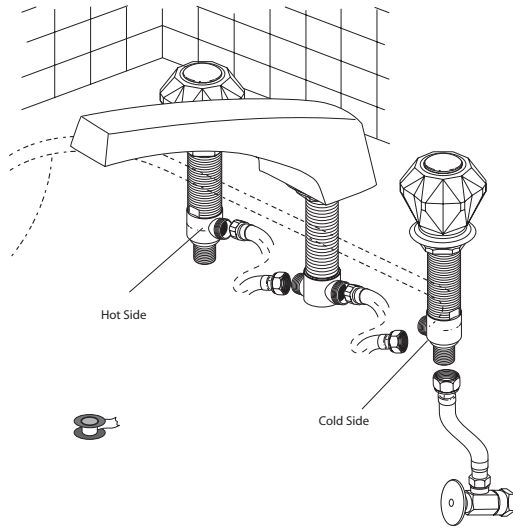
Hose Connections

Connect hot and cold water supply lines to the threaded shank. Tighten the supply line to the bottom of the valve (Caution: do not overtighten)

Connect hot and cold water lines to the threaded shank of the spout. Tighten the lines to the bottom of the spout. (Caution: do not overtighten)

Note: Supply lines are not included with this faucet.

Flush system: To flush the system first remove the aerator and turn on the hot and cold valves. Let the water run for 1 - 2 minutes. Check for leaks in all major connection areas. Turn off the water and replace the aerator.



StoneCrest

2 Roman Tub Filler N2810

Roman Tub

Description

- 8" Roman Tub filler
- 90° turn washerless cartridges
- 1/2" NPS connections
- 2.0 GPM ASME compliant

Standards

- ASME A112.18.1 Compliant
- Listed IAPMO / UPC & cUPC
- NSF - 61-9 tested and approved
- CSA B125.1 Compliant and listed

