

StoneCrest

Bar Faucet

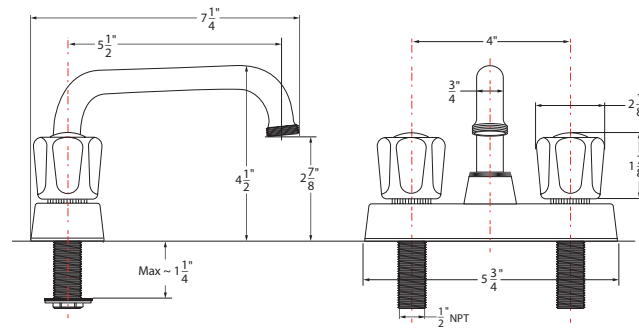
Two Handle Bar Faucet N4067 N4068

Description

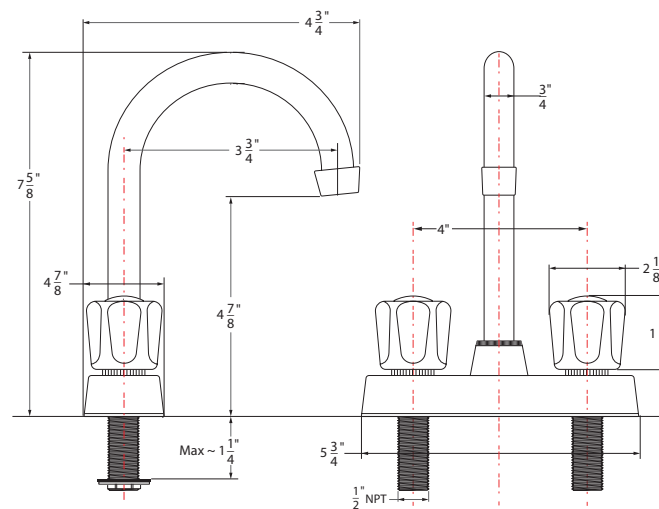
- 4" center bar faucet
- 1/2" NPS connections
- 2.0 GPM ASME compliant

Standards

- ASME A112.18.1 Compliant
- Listed IAPMO / UPC & cUPC
- NSF - 61-9 tested and approved
- CSA B125.1 Compliant and listed



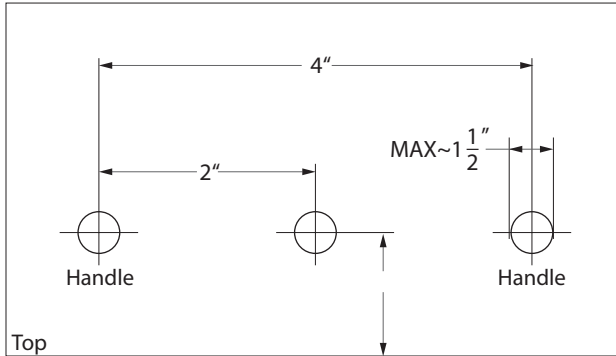
N4067



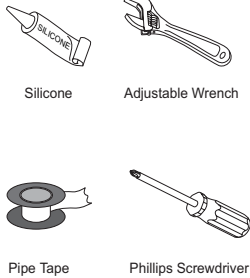
N4068

StoneCrest

Installations Measurement



The Tools You May Need



Before Your Installation

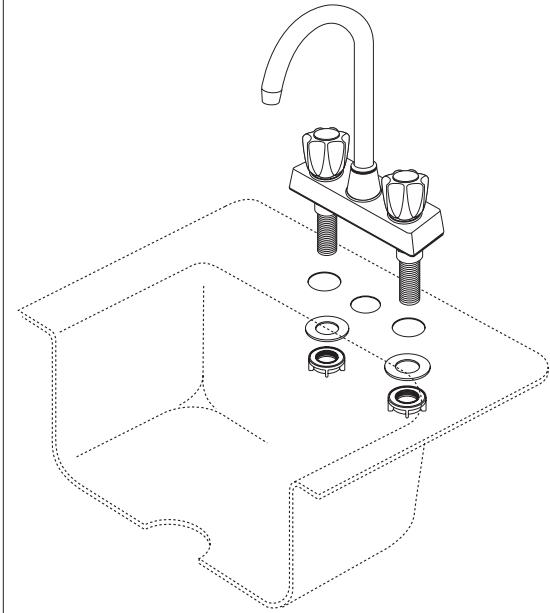
- Read all instructions carefully.
- Assemble all tools.
- Turn off main water supply before removing old faucet and fixtures.
- Clean surface before installing new faucet.
- Insert a cloth or stopper into drain to prevent small parts from getting lost.
- Afeel recommends that when cleaning your Afeel faucet to only use soap and warm water. The use of any chemical substance will void finish warranty.

Tips for Successful Installations

- Use joint compound or Teflon® tape on all threaded connections to prevent leaks.
- Use a soft cloth to protect the faucet's finish when using a wrench, pliers or other tools that could scratch the faucet.
- Tighten all hose connections by hand. Do not over tighten.
- Before turning main water supply back on, open several faucets around the house to prevent pressure from building up. Remove aerator from faucet before turning on water. Flush drain for several minutes before replacing aerator. DO NOT use joint compound or Teflon® tape to reconnect aerator.
- Afeel recommends silicon caulking to be use to seal drain flange and other parts.
- If you experience problems with the installation consult a professional plumber.

Body Installations

1. To ensure an easier installation make sure surface of sink is clean. Using a wet cloth wipe counter top clean.
2. Sit the faucet on top of the deck plate.
3. From underneath the sink, slide mounting nuts onto the threaded tube and tighten (Caution: Do not overtighten nuts, damage may occur)



Hose Connections Installations

Connect hot and cold water supply lines to the threaded shank. Tighten the supply line to the bottom of the faucet (Caution: do not overtighten)

Note: Supply lines are not included with this faucet.

Flush system: To flush the system first remove the aerator and turn on the hot and cold valves. Let the water run for 1 - 2 minutes. Check for leaks in all major connection areas. Turn off the water and replace the aerator.

